

FULL DOCUMENT SET CONTAIN:

Drawing ▪ LV-A-TB-S6-1/2010;
 Test. report ▪ CROP LV-20-11-2010;
 Manual ▪ REV-03/2011

PRODUCT DESCRIPTION:

The Terminal Block is designed to be used for connecting and disconnecting the electric circuit. They are most commonly used in low voltage splitting boxes (as shown below.) The product has a bottom bracket for DIN rail, fixation of input or output wires is accomplished with the side screws. Inner bolts can be used to connect the terminal block set, or remain unused if disconnected.

PRODUCT RANGE:

Conductor ▪ RE/RM smaller or equal 6 mm² Cu/Al.

MATERIALS:

Fireproof plastic PA66, brass, steel En11383 with chromated coating by EN12329.

VARIANTS:

Size 6 is manufactured and supplied in this form only.

PACKING:

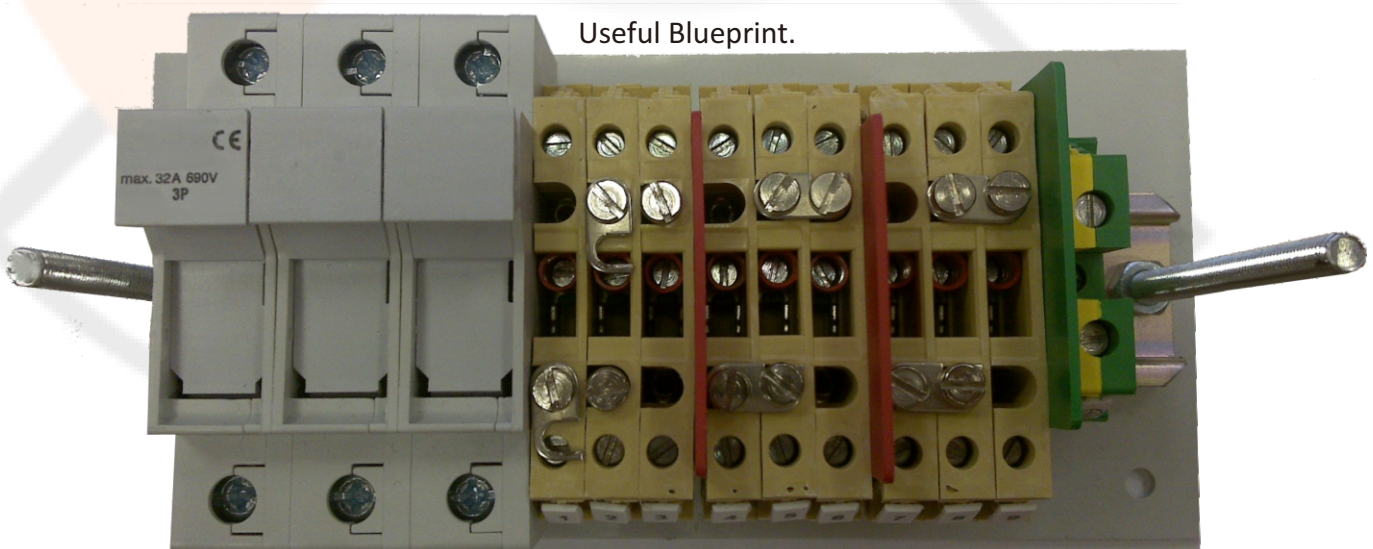
Carton dimensions: 45x37x33 cm
 Carton contents: 1200 pcs
 Piece weight: 24 g
 N. W.: 28.9 kg
 G. W.: 29.4 kg

PACKING OF TERMINAL BLOCK ACCESSORIES:

Depending on individual customer's needs.

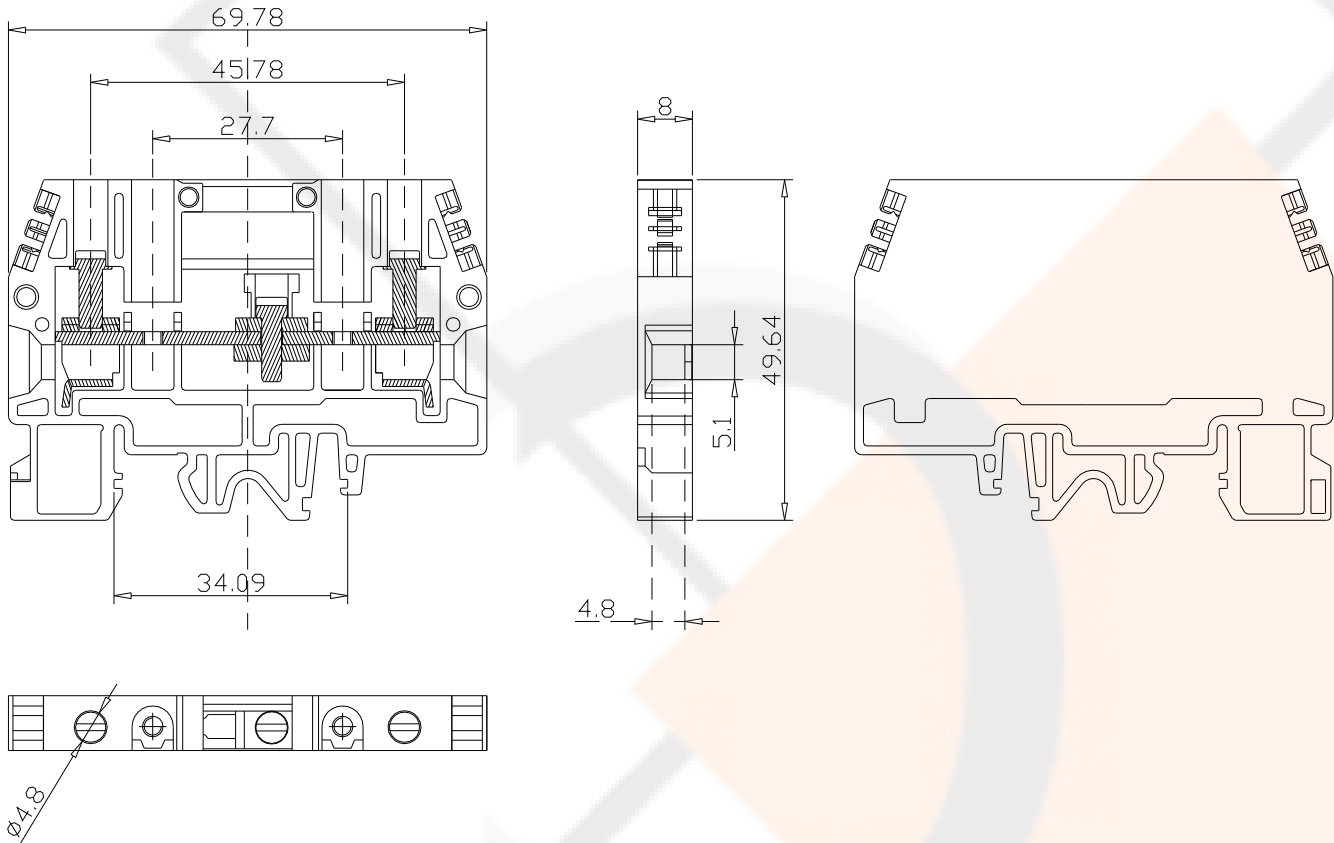
STORAGE AND TRANSPORT:

Product does not have any specific storage requirements. It is fire-resistant and non-hazardous.

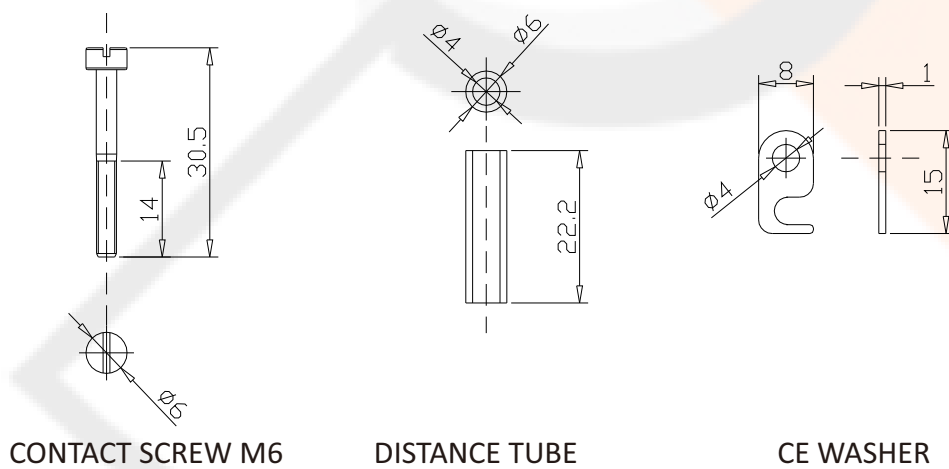


TERMINAL BLOCK

S6



TERMINAL BLOCK ACCESSORIES



CONTACT SCREW M6

DISTANCE TUBE

CE WASHER